

# ASSEMBLY INSTRUCTIONS

## Description: Kelly Dining Side Chair

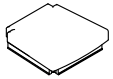
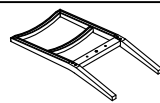
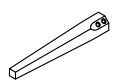
**Important safety instructions:**

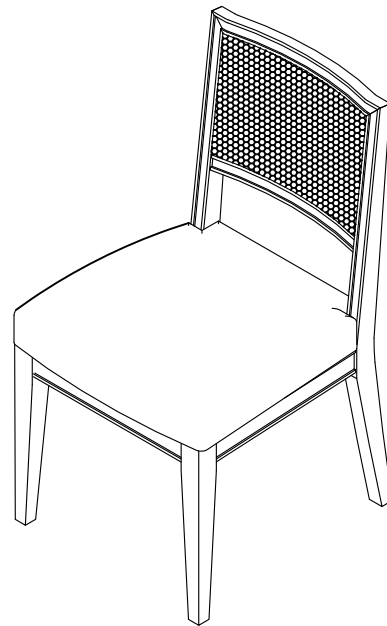
- Please carefully read all instructions before assembling.
- For your safety and ease, assembly by two or more adults is recommended.
- Keep instructions for future use.

**Pre-assembly:**







- Do not discard any contents until after assembly is complete to avoid accidentally discarding small parts or hardware.
- Remove all parts and hardware from box along with any plastic protective packaging.

**Parts List**

Item	Description	QTY
P1	Seat Cushion 	1
P2	Back Frame 	1
P3	Front Legs 	4







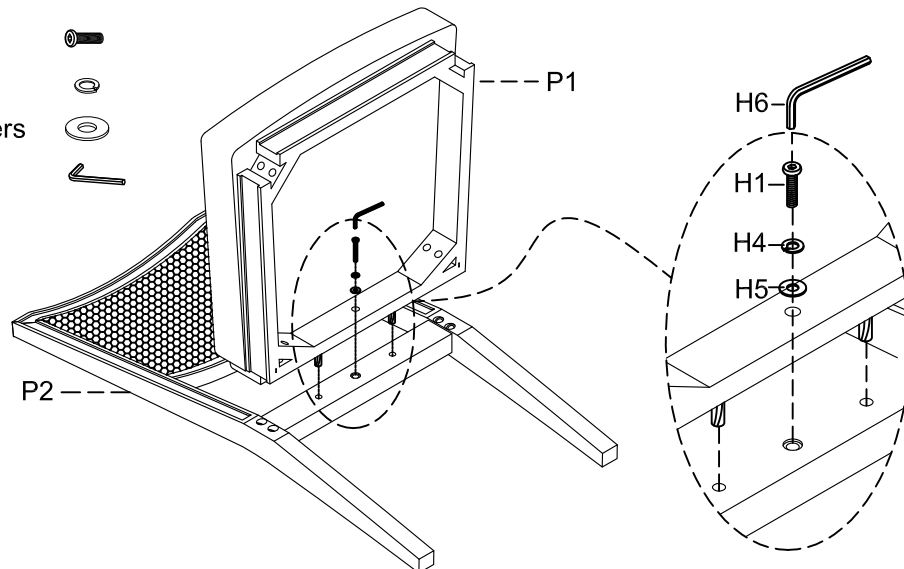
**Hardware List**

Item	Description	QTY
H1	Short Bolts Ø5/16"*2" 	1
H2	Medium Bolts Ø5/16"*2-1/4" 	4
H3	Long Bolts Ø5/16"*3" 	4
H4	Lock Washers 5/16" 	9
H5	Flat washers 5/16" 	9
H6	Allen Wrench 5/16" 	1





**Assembly Procedures:**

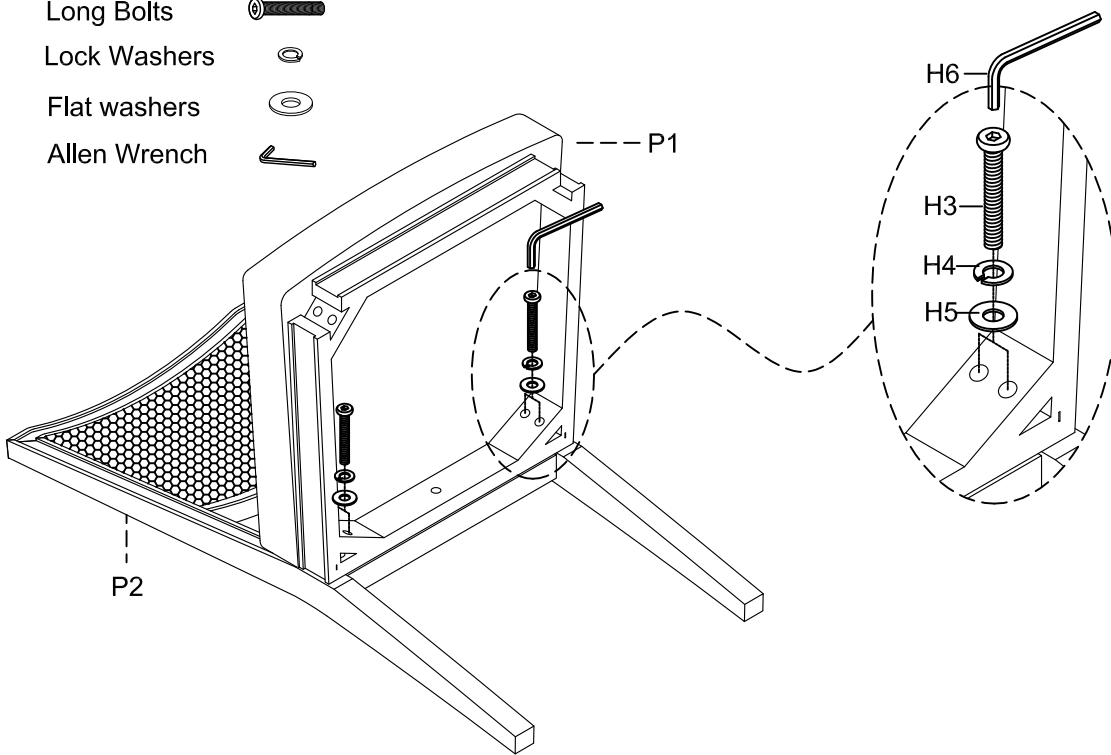
Step 1. Assemble the chair on a flat, soft surface such as a carpet or cloth to prevent scratching the finish. At each seat cushion (P2) with two located dowels to back frame (P1) as shown below. Loosely tighten the bolts with Allen wrench (H6).

- (H1)x1 Short Bolts 
- (H4)x1 Lock Washers 
- (H5)x1 Small flat washers 
- (H6)x1 Allen Wrench 







Step 2. Attach seat cushion (P1) to the legs of back frame (P2) as shown below. Loosely tighten the bolts with Allen wrench (H6).

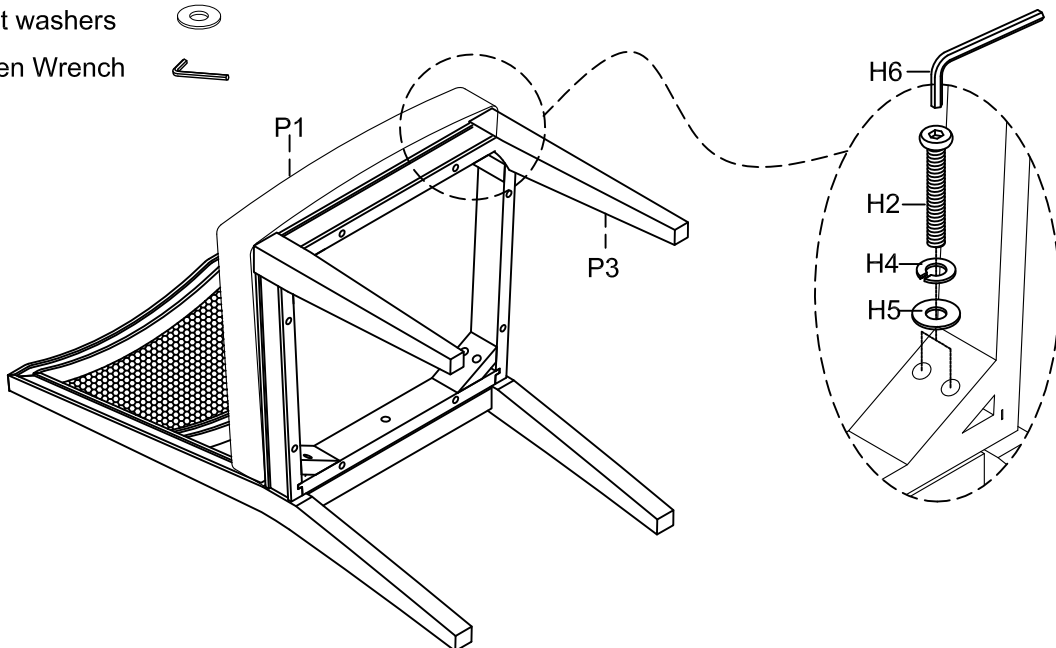
- (H3)x4 Long Bolts 
- (H4)x4 Lock Washers 
- (H5)x4 Flat washers 
- (H6)x1 Allen Wrench 



Step 3.

- 1) Attach the front legs (P3) to the seat cushion (P1) as shown below. Make sure the assembled chair is level and securely tighten all the bolts with Allen wrench (H6).
- 2) Assembly is complete. **Failure to follow these instructions may cause the bolts to misalign during assembly.**

- (H2)x4 Medium Bolts 
- (H4)x4 Lock Washers 
- (H5)x4 Flat washers 
- (H6)x1 Allen Wrench 



**ADDITIONAL NOTE ABOUT SAFETY: BOLTS MAY LOOSEN DURING NORMAL EVERYDAY USE. THEY SHOULD BE PERIODICALLY INSPECTED AND RE-TIGHTENED TO PREVENT DAMAGE OR INJURY. ALWAYS CHECK TO BE SURE THAT ALL HARDWARE IS KEPT TIGHTENED.**