





ASSEMBLY INSTRUCTIONS

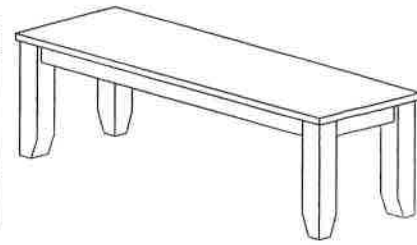
ITEM NO : 1131 MBRN-T-BENCH

BOX OF BENCH

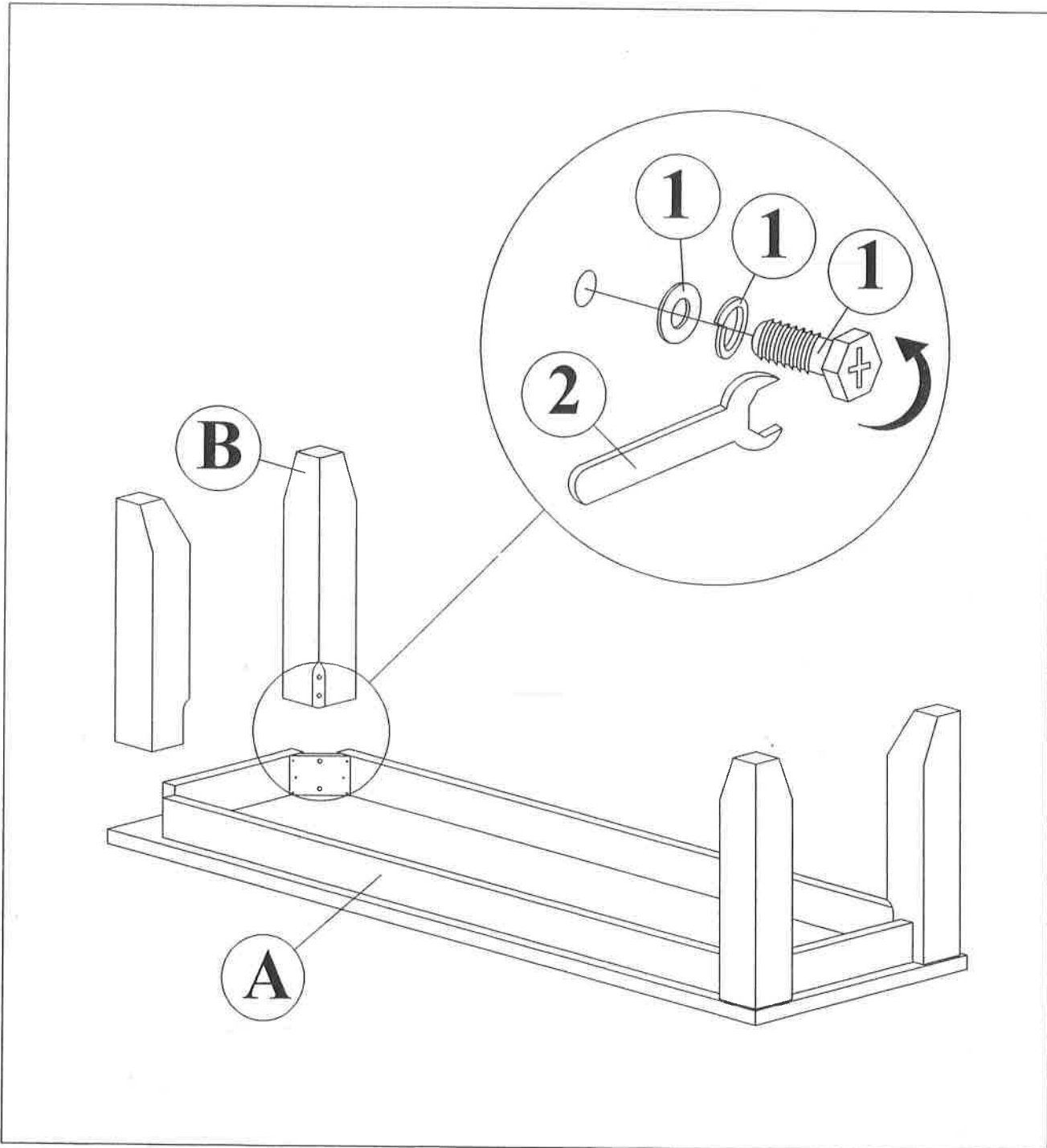
ITEM	DRAWING	DESCRIPTION	QTY
A		BENCH TOP	1
B		LEG	4

**BOX OF BENCH
HARDWARE LIST**

ITEM	DRAWING	DESCRIPTION	QTY
1		Bolt-Hex Comb with Spring Washer and Flat Washer (5/16 x 3 1/2")	8
2		Wrench (13MM)	1



COMPLETED BENCH ASSEMBLY



THE HARDWARE IS LOCATED IN THE PACKING ITEMS

NOTE : MUST TIGHTEN SCREWS PERIODICALLY. WITH USE SCREWS MAY BECOME LOOSE.
CHECK TIGHTNESS OF ALL SCREWS EVERY 6-8 WEEKS.

CLEANING INSTRUCTION

After assembled, clean & polish the completed parts if necessary with soft cloth and industrial recognized furniture polish

MADE IN MALAYSIA